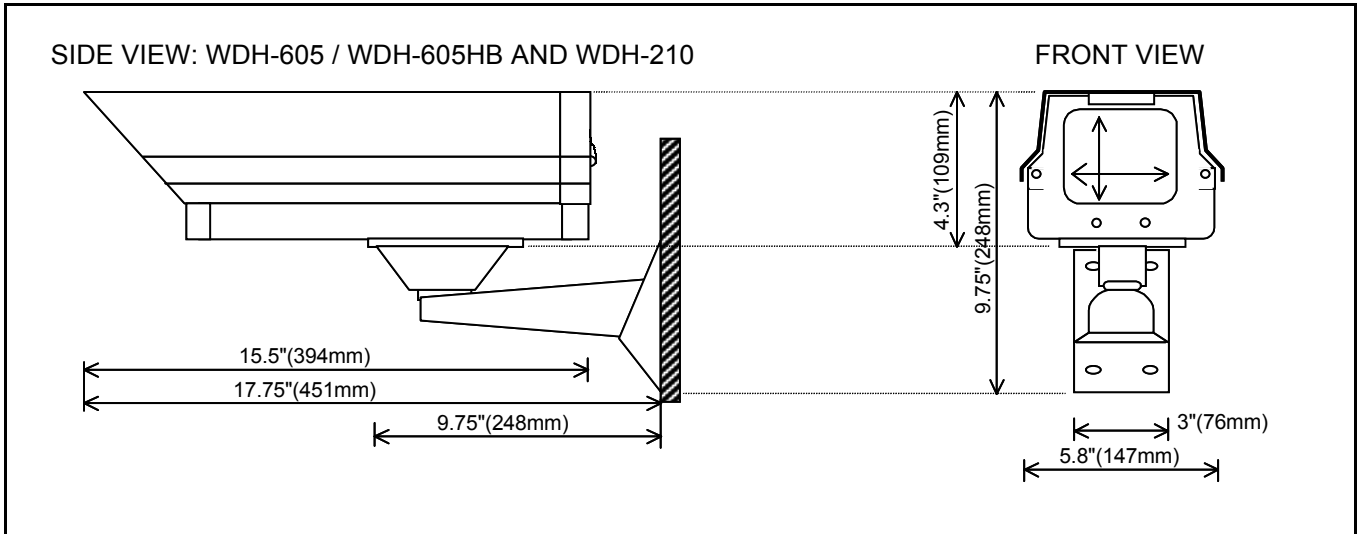


## OUTDOOR CCD CAMERA ENCLOSURE AND MOUNTING BRACKET

MODEL: WDH-605 / WDH-605HB AND WDH-210



### SPECIFICATIONS

#### MODEL: WDH-210 MOUNTING BRACKET

THE **WDH-210** MOUNTING BRACKET IS PERFECT FOR ALL OUTDOOR WALL OR PARAPET INSTALLATION APPLICATIONS USING THE **WDH-605** AND **WDH-605HB** OUTDOOR HOUSINGS.

CONSTRUCTION	DIE CAST HEAVY DUTY ALUMINUM
HARDWARE	TAMPER RESISTANT ALLEN SCREW (SUPPLIED)
DIMENSIONS	8.8" L x 2.9" W x 4.5" H
HOLE PATTERN	1.6" HORIZONTAL O.C. - 3.3" VERTICAL O.C.
MAXIMUM ADJUSTMENT	360 DEGREES PAN / 90 DEGREES TILT

#### MODEL: WDH-605 OUTDOOR CAMERA ENCLOSURE

THE **WDH-605** IS AN ECONOMICAL ENVIRONMENTAL CAMERA ENCLOSURE WITH A RUGGED CONSTRUCTION AND AN ATTRACTIVE DESIGN. WITH ITS FORWARD HINGED COVER, YOU CAN EASILY ACCESS THE CAMERA FOR INSTALLATION AND SERVICE. THIS HOUSING ALSO HAS A HEAVY DUTY LOCKABLE REAR LATCH TO PREVENT VANDALISM.

CONSTRUCTION	HEAVY DUTY ALUMINUM / PLASTIC FRONT & REAR CAPS
COLOR	BEIGE
HARDWARE	REAR LOCKABLE LATCH / HINGED HOOD
MAX. CAMERA / LENS SIZE	11" L x 4" W x 3.5" H
CAMERA ACCESS	FORWARD HINGED HOOD
WINDOW	2.875" W x 2.5" H - 1/8" LEXAN
DIMENSIONS	15.5" L x 5.8" W x 4.3" H (INCLUDING VISOR)

#### MODEL: WDH-605HB OUTDOOR CAMERA ENCLOSURE WITH HEATER / BLOWER

THE **WDH-605HB** IS IDENTICAL TO THE **WDH-605** BUT INCLUDES A HEATER AND BLOWER COMBINATION FOR EXTREME TEMPERATURE APPLICATIONS.

VOLTAGE	24 VOLT AC
---------	------------